



AQUASTEP PANELS – INSTALLATION INSTRUCTIONS



AQUASTEP PANELS - SPC wall panels

Aquastep panels are exclusively designed for indoor use and must be placed and stored in heated spaces. Store the panels at room temperature (18°C - 24°C) for at least 48 hours before installation.

Aquastep panels should not be constantly exposed to higher temperatures, installation in a conservatory for example is not recommended.

Prior to installation, inspect each panel for visible defects. Panels with noticeable flaws should not be utilized; after installation these claim will not be accepted.

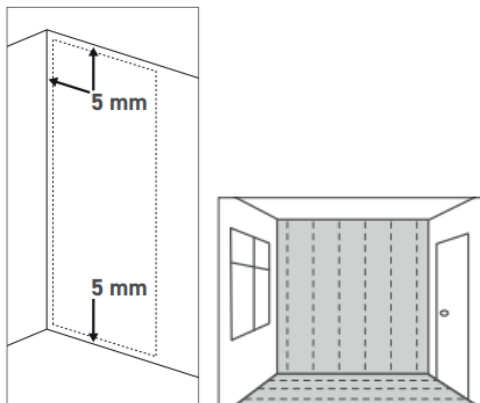
INSTALLATION INSTRUCTIONS

The surface must be dry and free from dust and dirt. Check the evenness of the surface — under a 1m straightedge, imperfections should not exceed 2mm. Level the surface if necessary. Tile joints should not exceed 6mm in width. If a click connection coincides with a tile joint, it must be levelled.

The long sides of the panels feature a Click 'N Screw connection, whereas the ends are straight. To click the panels together, angle the tongue on one panel into the groove of the adjoining panel, pressing downward and back. Always click the tongue into the groove. The panels must seamlessly adjoin each other.

To shorten the panels, mark a straight line using a square.

Cut the panel along this line using a Stanley knife and then break it off along the score line. First measure the wall, if the last row is not at least 5cm wide, size the first row so that the first and last rows are approximately the same width. To allow for expansion, maintain a 5mm expansion joint when installing the panels on the wall.

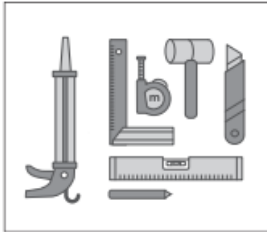


Required tools

Carpenter's square, ruler, spirit level, utility knife and pencil.

Adhesive: Aqua-Step polymer adhesive applied with a caulking gun (wall).

Screws: a substructure of wood (wooden slats 25 x 35 mm) or aluminium, stainless steel A2 screws with a sharp point, a fl at head, maximum diameter of 3 mm and a length of 20- 25 mm.

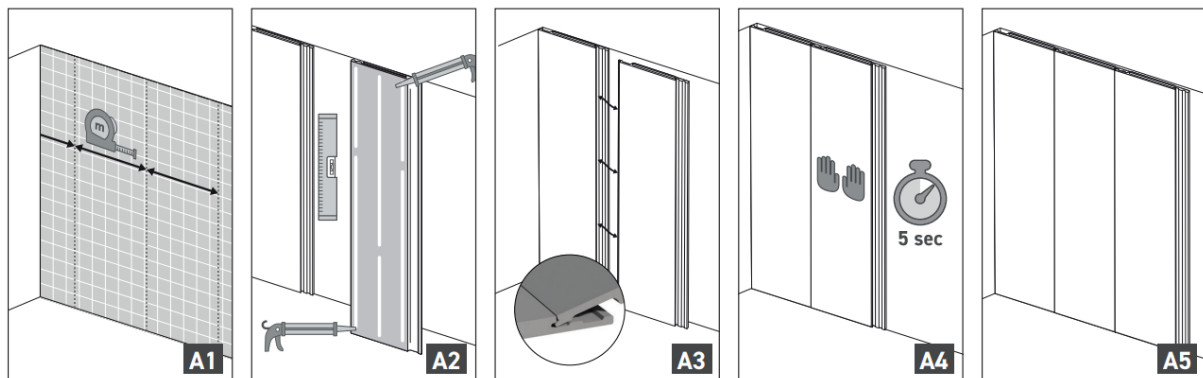


Wall installation with adhesive (A1-A5)

When fitting on a plaster board base make sure the joints of the panels do not coincide with the seams of the plaster boards. Take a ruler and spirit level and draw a reference line to begin the installation.

First, degrease both the wall and the back of the panels. Using a caulking gun, apply Aqua-Step polymer adhesive to the panel's rear in straight stripes every 10 cm as shown in figure A2. Press the panel in place for 5 seconds postapplication. Immediately remove any adhesive residues from the panel's front using a cleaning agent.

Apply adhesive to the subsequent panel, then click it lengthwise into the preceding panel. Check the joints are perfectly aligned after each row. Do this before the adhesive sets.



Wall installation with screws (A1, B1-B5)

Affix panels onto a levelled framework (25x35mm), maintaining a maximum 40cm center-to-center distance between battens. Pre-drill holes for screws using an appropriate sharp drill bit.

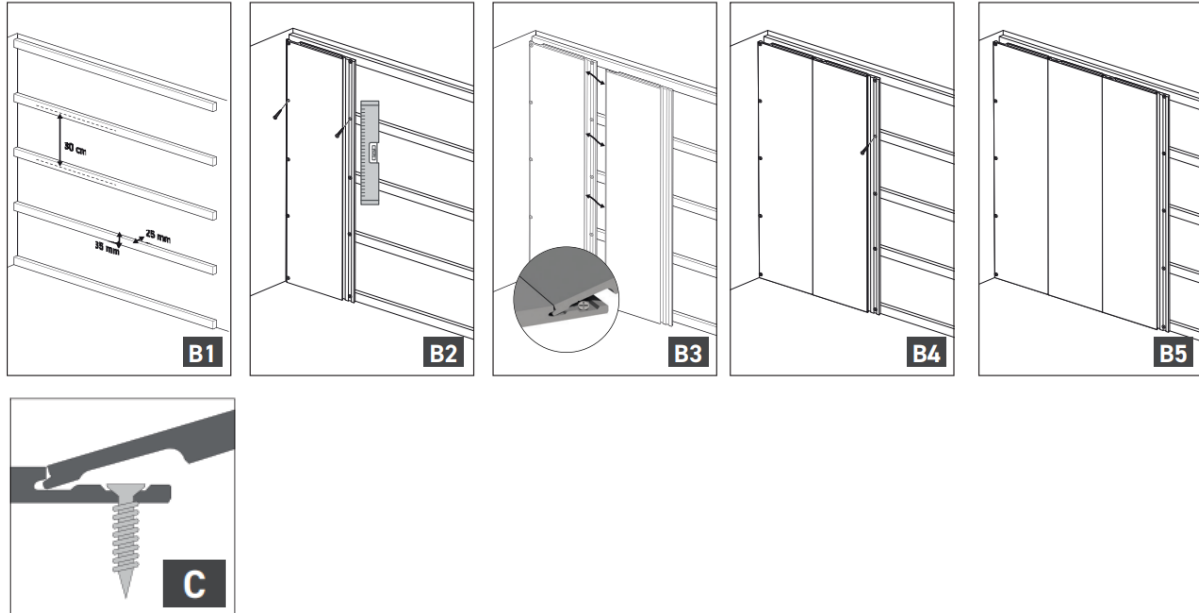
On the left of the structure, attach a U-profile levelly using screws or adhesive. Check that it is level. To allow for expansion of the panels, always leave 5 mm space between the panels and the profiles.

Or, alternatively, the initial panel can be screwed or glued to the battens. Screws can be concealed by placing a (SPC) cover strip or folding strip.

Slide the first panel into the U-profile, ensuring it's level. Attach the panel to the right side every 40 cm on a batten using the appropriate RVS screws. Place the screw in the center of the Click 'N

Screw slot, ensuring it is not overtightened and the screw head does not protrude above the recess (C).

Angle the subsequent panel's long side into the profile of the already secured panel, then screw it to the battens every 40 cm without shifting the panel.



Finishing and maintenance

For finishing a moisture resistant silicone or a suitable profile attached with adhesive must be used. For pipe holes, screws, or joinings, pre-drill the panels. The diameter of the holes must be at least 5 mm larger than the hose or joining. Fill the hole with moisture resistant silicone after fixing the panels. For finishing shower trays or sinks, use a moisture resistant silicone sealant between the wall and tray.

Clean the walls with a damp cloth. Avoid abrasive agents, oil, wax, varnish, bleach, scouring pads, steel wool, corrosive substances, and cleaners with harsh ingredients, as they might damage the surface. The use of a steam cleaner is not recommended.